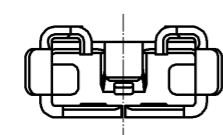
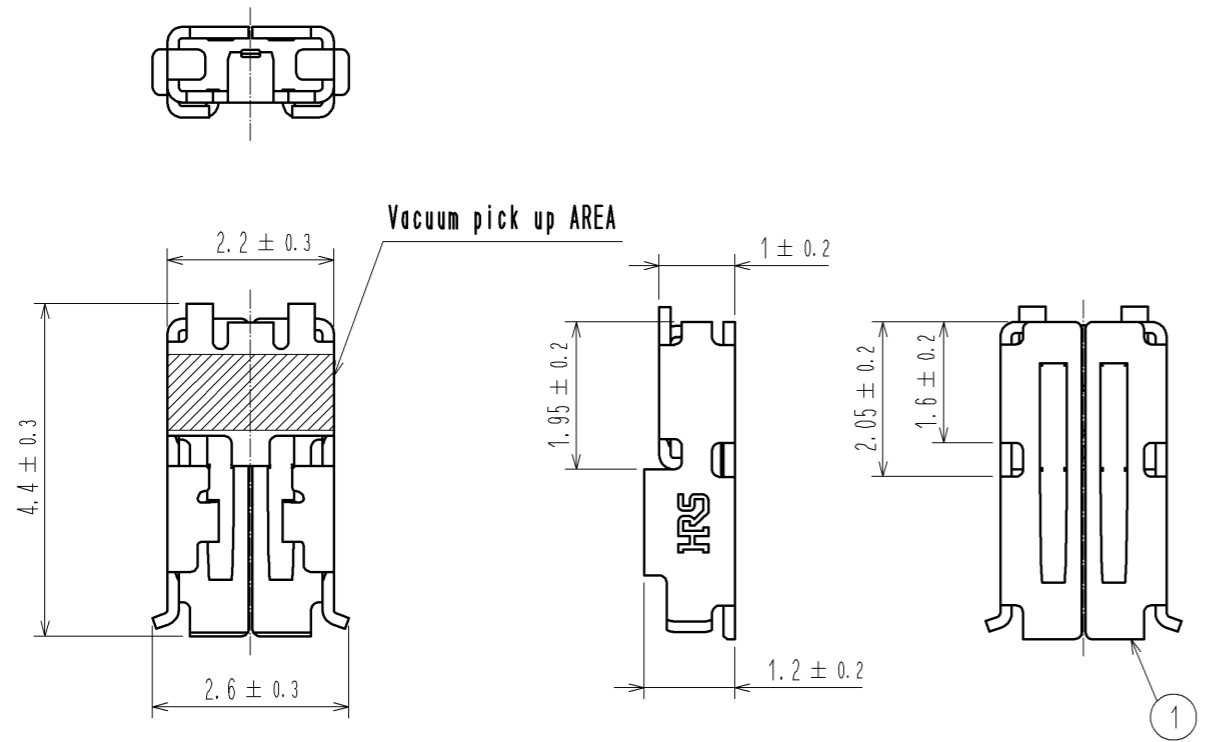
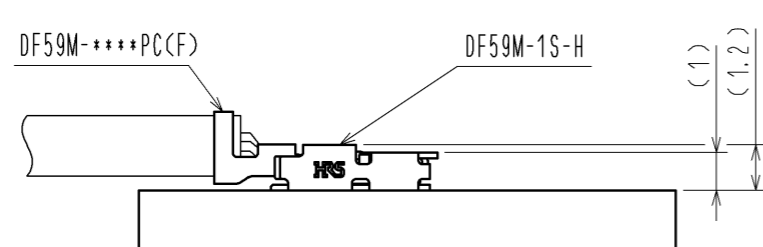
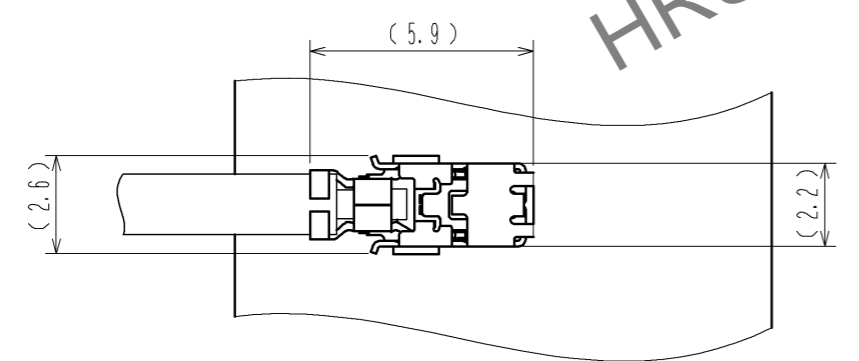


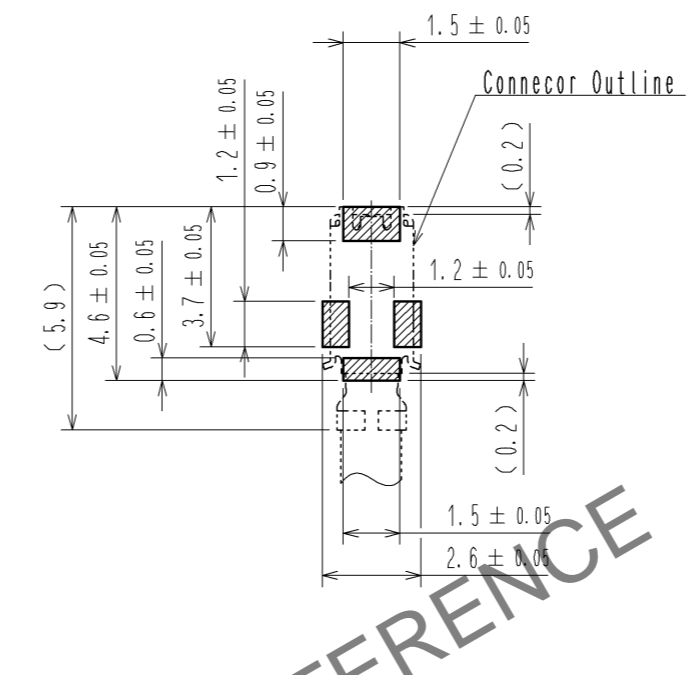
Apr.1.2024 Copyright 2024 HIROSE ELECTRIC CO., LTD. All Rights Reserved.
In case of consideration for using Automotive equipment / device which demand high reliability, kindly contact our sales window correspondents.



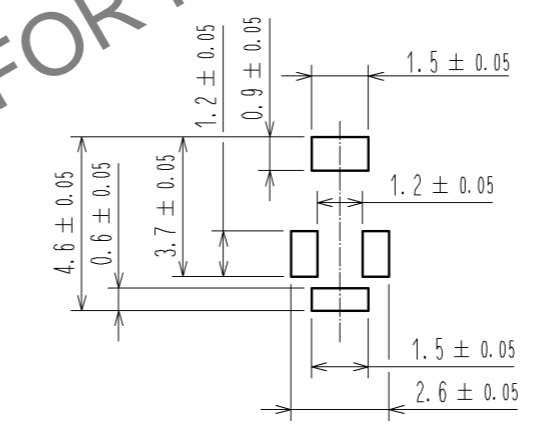
Mating Figure(5:1)



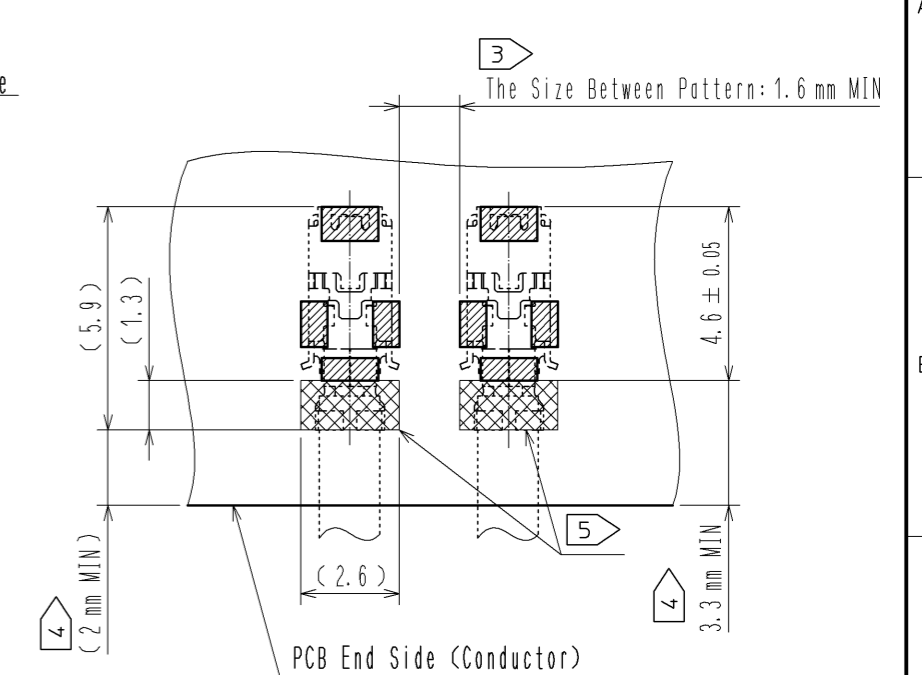
Recommended PCB Layout (5 : 1)



Recommended Metal Mask (5 : 1)
Thickness : 0.1mm



Parallel Arrangement Recommended PCB Layout(5 : 1)



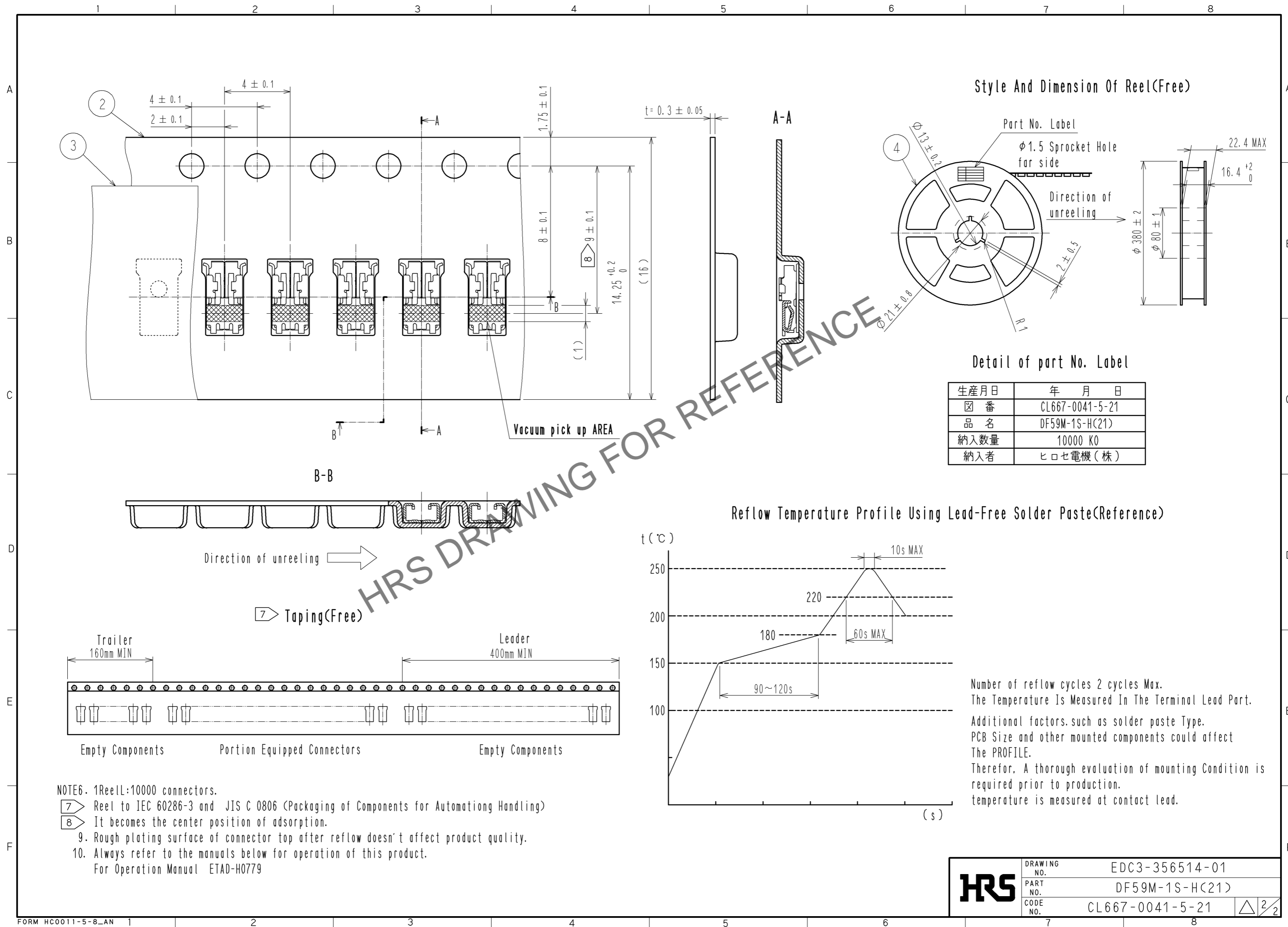
Warning

This product does not have an insulator.
Please do not operate the connector during current-carrying.

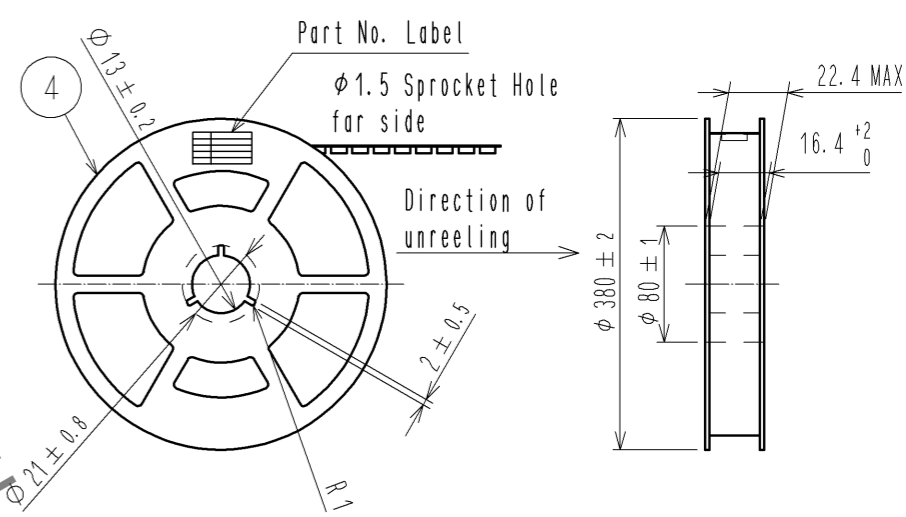
- NOTE 1. lead co-planarity shall be 0.1mm MAX.
2. The Dimensions In Parentheses Are For Reference.
- ③ In accordance with IEC60664 and JIS C 60664, creepage distance of 1.6mm or more is required in 300V of rated voltage. (In pollution degree2 of printed wiring material)
 - ④ Please take +0.4mm longer than the standard of recommended creepage distance for the direction, because the direction is needed consideration of the mating clearance and manufacturing tolerance of crimping.
 - ⑤ Keep the indicated area away from Conductive trace.
When patterning is not avoidable, Conductive trace must be covered by resist film.

1	Cooper Alloy	SURFACE:TIN-PLATING 1μm MIN. UNDER PLATING:NICKEL 0.5μm MIN.	4	PS	REEL, BLACK		
			3	Polyester	CLEAR(COVER TAPE)		
			2	PS	CLEAR(EMBOSSED CARRIER TAPE)		
NO.	MATERIAL	FINISH . REMARKS	NO.	MATERIAL	FINISH . REMARKS		
UNITS mm		SCALE 10 : 1	COUNT	DESCRIPTION OF REVISIONS	DESIGNED	CHECKED	DATE
HRS HIROSE ELECTRIC CO., LTD.		APPROVED : HK. UMEHARA	14. 05. 20	DRAWING NO. EDC3-356514-01			
		CHECED : HK. UMEHARA	14. 05. 20	PART NO. DF59M-1S-H(21)			
		DESIGNED : SZ. ONO	14. 05. 20	CODE NO. CL667-0041-5-21			
		DRAWN : SZ. ONO	14. 05. 20			1/2	

Apr.1.2024 Copyright 2024 HIROSE ELECTRIC CO., LTD. All Rights Reserved.
In case of consideration for using Automotive equipment / device which demand high reliability, kindly contact our sales window correspondents.



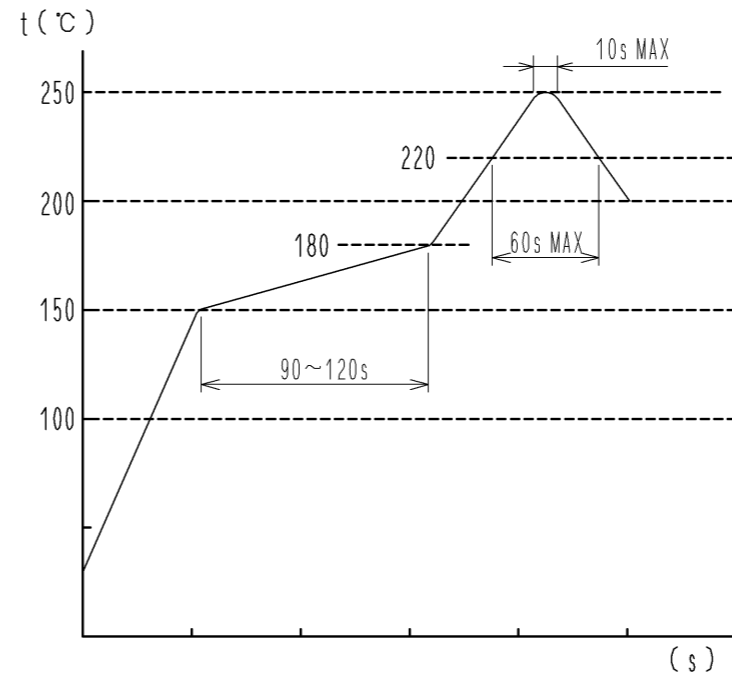
Style And Dimension Of Reel(Free)



Detail of part No. Label

生産月日	年 月 日
図 番	CL667-0041-5-21
品 名	DF59M-1S-H(21)
納入数量	10000 KO
納入者	ヒロセ電機(株)

Reflow Temperature Profile Using Lead-Free Solder Paste(Reference)



Number of reflow cycles 2 cycles Max.
The Temperature Is Measured In The Terminal Lead Part.
Additional factors, such as solder paste Type,
PCB Size and other mounted components could affect
The PROFILE.
Therefore, A thorough evaluation of mounting Condition is
required prior to production.
temperature is measured at contact lead.

- NOTE6. 1Reel:10000 connectors.
- 7 Reel to IEC 60286-3 and JIS C 0806 (Packaging of Components for Automating Handling)
 - 8 It becomes the center position of adsorption.
 - 9. Rough plating surface of connector top after reflow doesn't affect product quality.
 - 10. Always refer to the manuals below for operation of this product.
For Operation Manual ETAD-H0779

HRS	DRAWING NO.	EDC3-356514-01
	PART NO.	DF59M-1S-H(21)
	CODE NO.	CL667-0041-5-21
		△ 2/2